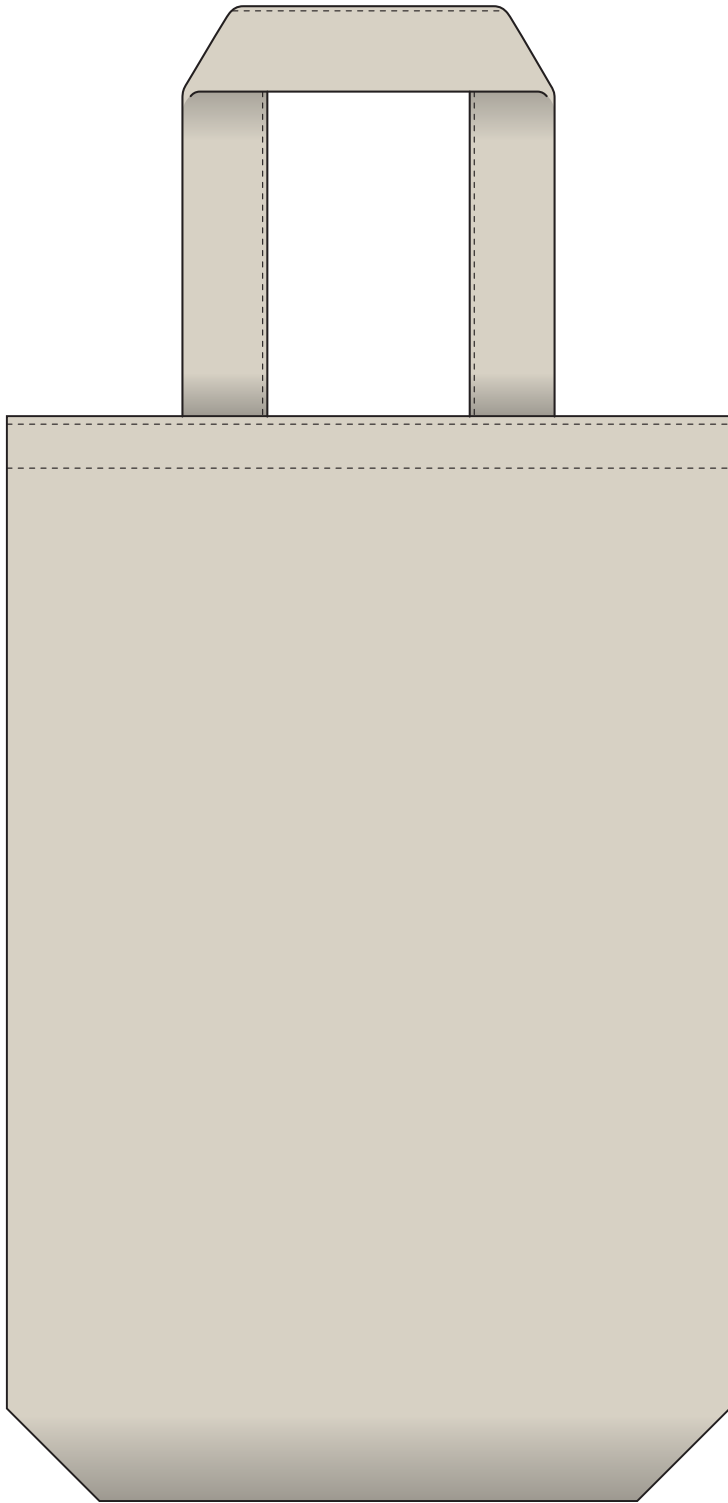
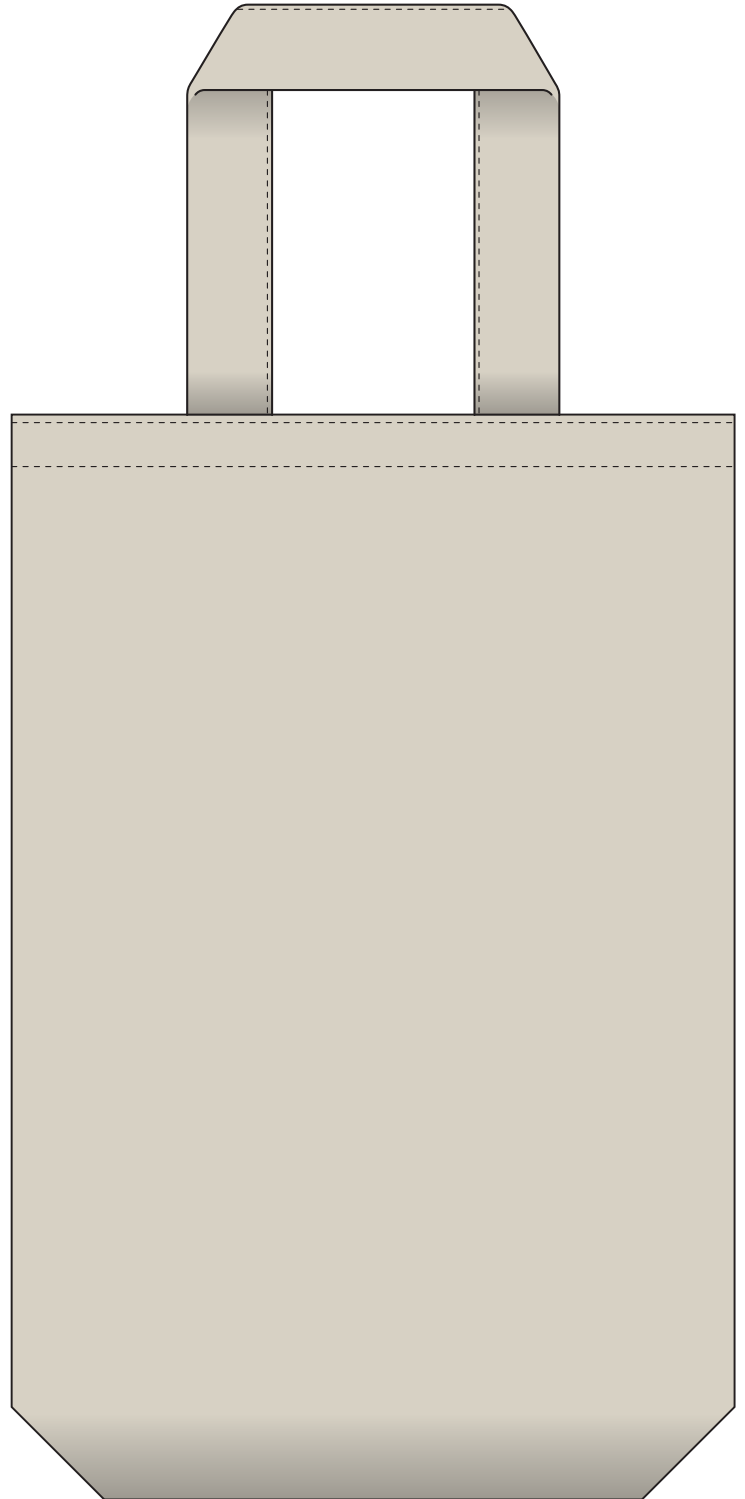


1965



FRONT

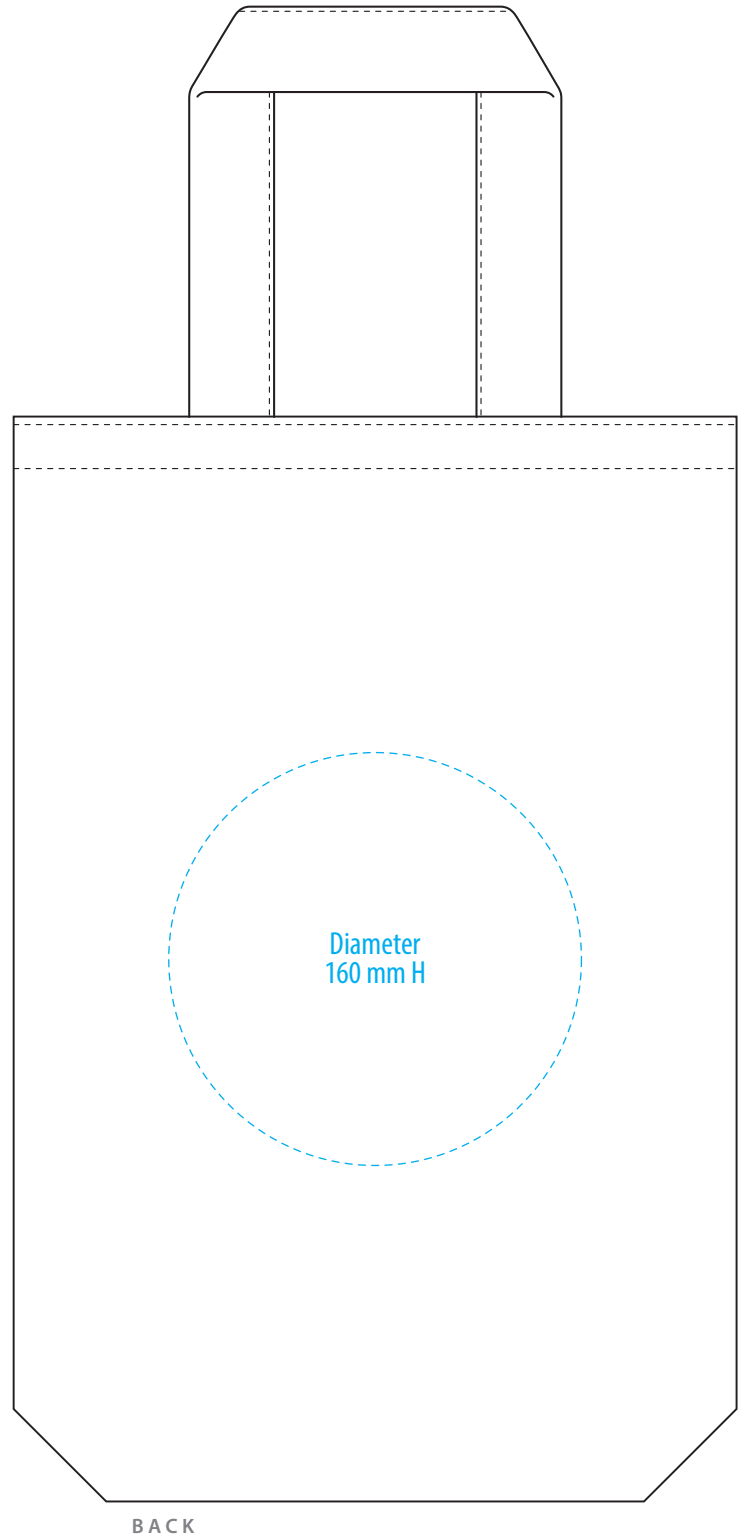
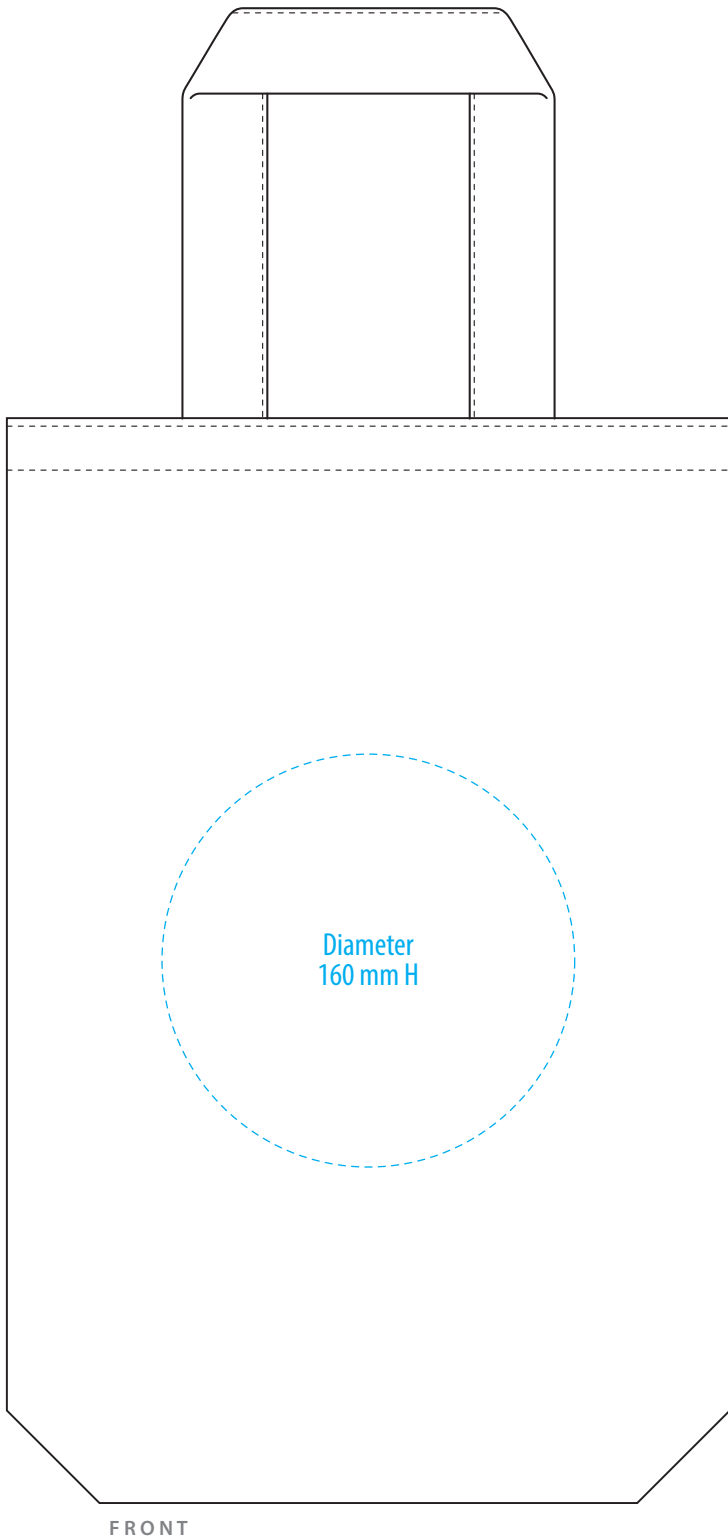


BACK



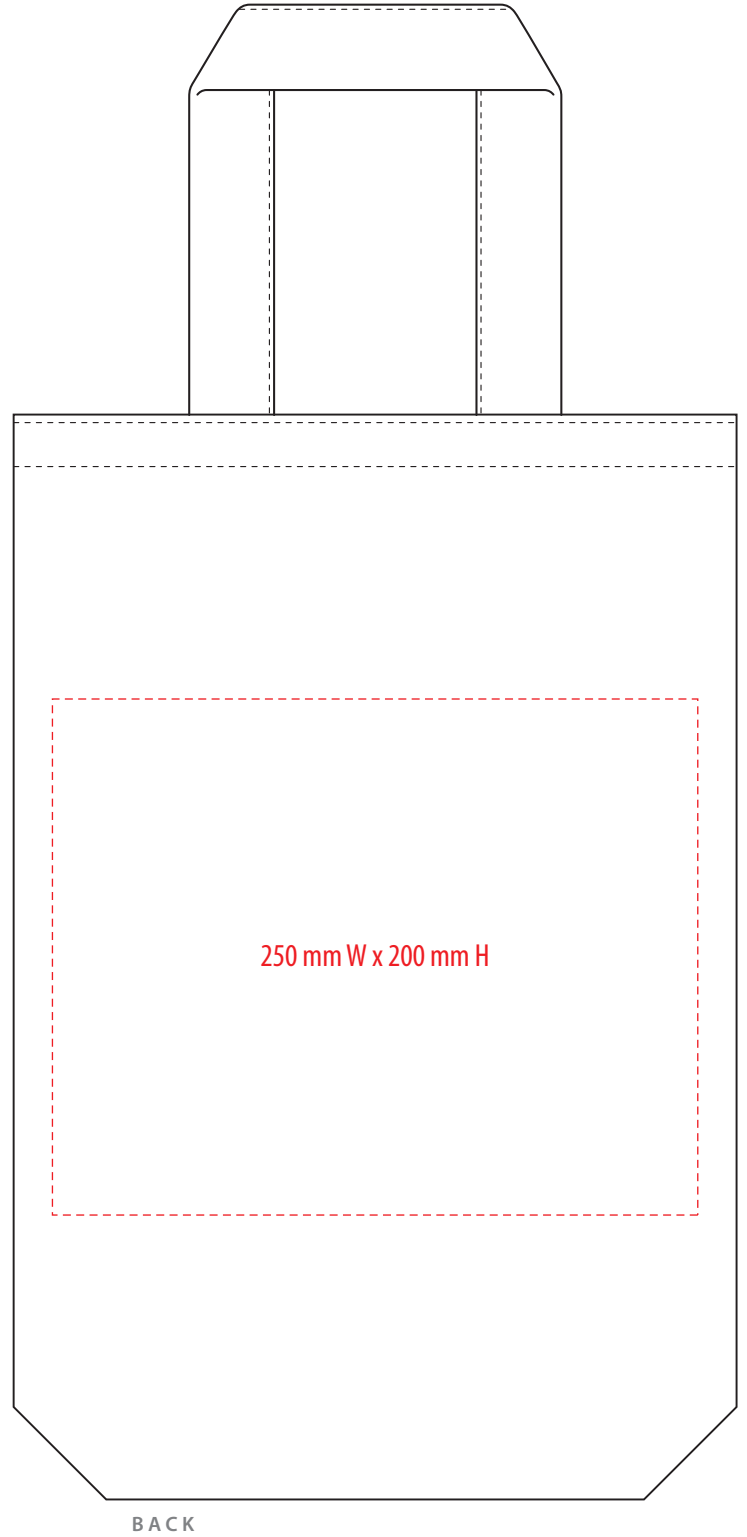
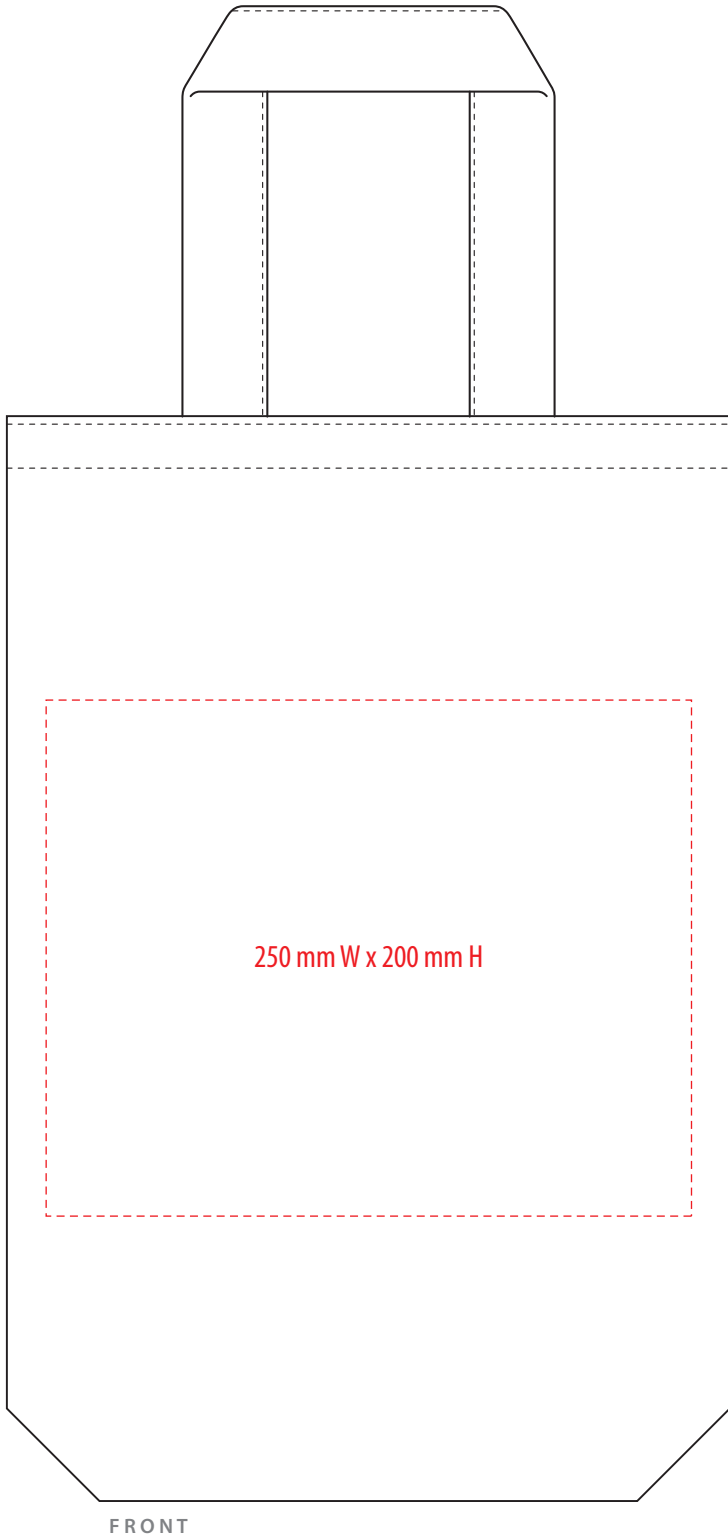
COLOUR

1965



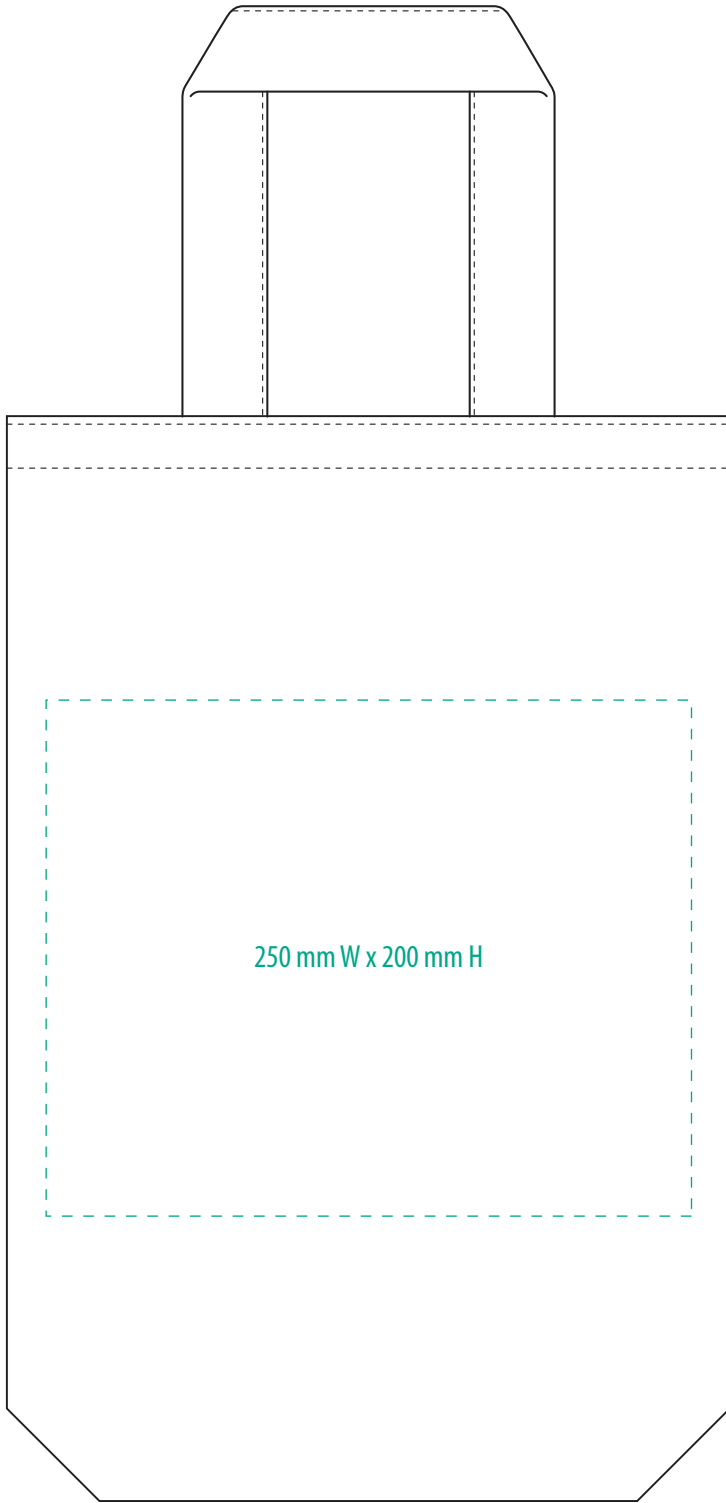
EMBROIDERY / SUPASUB / SUPAETCH / SUPAFLEX

1965



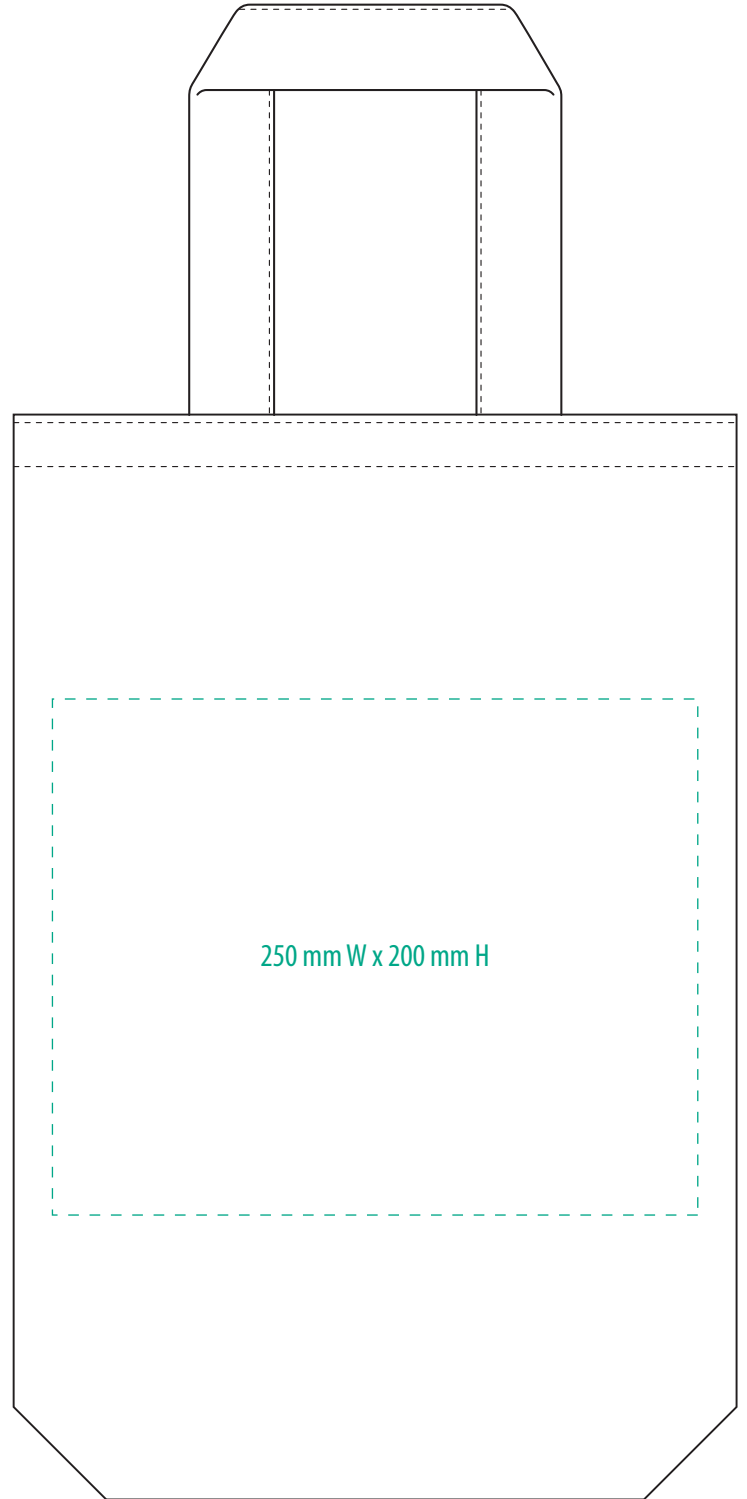
SUPACLOUR

1965



FRONT

NOTE:
BOLD ARTWORK ONLY -
NO FINE LINES OR
GRAPHICS



BACK

SCREENPRINT